

INSERT+2 V



Recessed wall steplight series. Fixtures consist of:

- Multi-step powder-coat painting process, optimized against UV rays and corrosion.
- Copper-free (<1%) precision die-cast aluminum housing and ring/faceplate.
- Frosted, tempered, silk-screened, flat glass diffuser.
- Custom molded, anti-aging gasket(s).
- Custom MCPCB utilized to maximize heat dissipation and promote long LED life.
- Input voltage: 120-277 V (50 / 60 Hz), integral driver.
- Pre-wired factory sealed cable for external electrical connection included.
- The luminaire may be configured with numerous options and multiple standard finishes.
- Not all options are available in all configurations. Consult factory for more information about specification sheet details to build your light.
- Stainless steel recessed rough-in kit to be ordered separately.
- Product meets Buy American Act (BAA) requirements within ARRA.
- 5-year warranty.
- Marine Grade finish.
- Suitable for Natatorium applications.

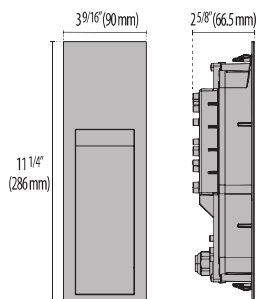


FINISHES

- AN-96 / Iron gray / Textured
- GR-94 / Aluminum metallic / Textured
- WH-87 / White / Textured
- BK-81 / Black / Textured
- RB-10 / Iron rust / Textured



Scan here for
installation instructions



LUMEN OUTPUT					
	27K	30K	35K	40K	50K
9W	572	592	613	633	671

Order Guide – INSERT+2 V



Order code example: I+2V-9W-30K-WH-120V

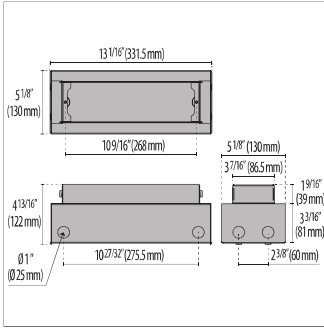
I+2V						
SERIES	Wattage	CCT	Finish	Voltage	Controls	Accessories
I+2V Insert+2 V	9 9W* (max)	27K 2700K 30K* 3000K 35K 3500K 40K* 4000K 50K 5000K	AM Aluminum Metallic* IG Iron Gray* IR Iron Rust BK Textured Black WH Textured White* CC Custom Color	UNV 120-277V* 120V 120V only	0-10V 0-10V Dimming* ELV ELV Dimming	PLT Adaptor plate; specify dimensions BABAA Build America Buy America Act compliant
					Contact Factory for Remote driver options	Contact Factory about adaptor plate custom options

STANDARD OPTION, SHORTER LEAD TIME, NO MOQ

ROUGH IN INCLUDED WITH FIXTURE - CAN BE SHIPPED AHEAD
80 CRI STANDARD - OTHER OPTIONS AVAILABLE

REQUIRED FOR INSTALLATION Included with Fixture

DESCRIPTION	FINISH	PART NUMBER
INSERT+ 2 V Rough-In kit INSERT+ 2 V		3121497



3121497